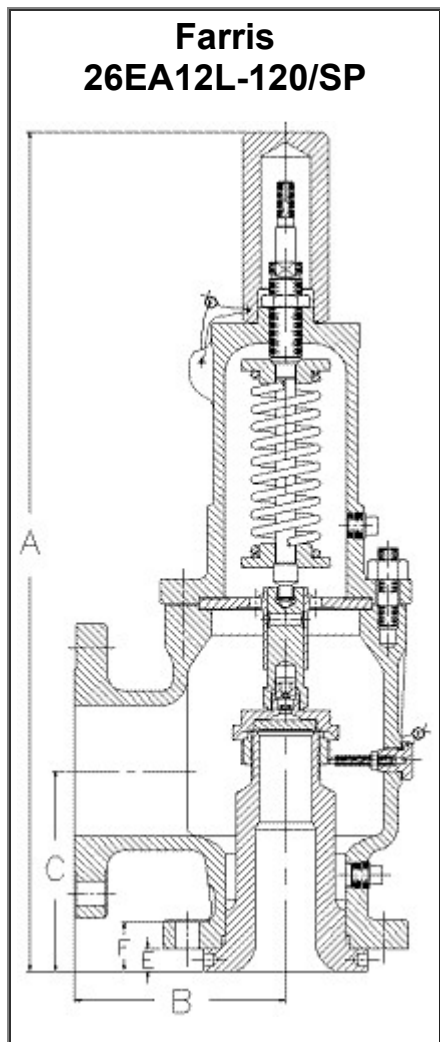


Catalog Data Sheet Farris Relief Valve

Equip ID #: **PSV-6070&6089A/B**
 WS Version: 1.1.6.52
 Reported: 2021-10-14

PSV Identification

Tag #: PSV-6070&6089A/B	Protected System: PSV-6070&6089A/B	P/ID #: -	PFD #: -
ASME Code: ASME Sec. 8	Equation Type: Liquid	Resolved ASME Area: 59.091 mm ²	Resolved API Area: 53.182 mm ²
Operating Pressure: 430 psig	Set Pressure: 650 psig	BP Super Constant: 0 psig	BP Super Variable: 0 psig
Operating Temp.: 100 °F	Relief Temp.: 100 °F	Operating to Set %: 66.154 %	Over Pressure: 65 psig
Max. Rel. Cap.: 73697 kg/hr	Reactive Force: -	Noise Level (Atm): -	NACE: No
NPC (Air): 73 Sm ³ /min	NPC (Steam): 3290 kg/hr	NPC (Water): 564 l/min	Test Medium: Water
			Rupture Disk Coeff.: 1
			BP Built-Up: 0 psig
			BP Total: 0 psig
			Percent Over P.: 10 %



High Press. Prefix		
Series Number	26	Pressure Relief Valve
ASME / API Area	E	0.225 / 0.196
Construction	A	Conventional
Temps & Mats	1	-20F to 800F (-29C to 427C), CS/CS
Inlet Class	2	300# HW
Special Constr'n	L	ASME Code - Liquid
Inlet Facing	1	Raised Face, ANSI Std.
Cap Constr'n	2	Screwed Cap
Test Gag	0	Without Gag
Special Material		
Restricted Lift		
Special Options	SP	

API Kd	
Gas	0.953
Steam	0.953
Liquid	0.724
ASME K	
Gas	0.8577
Steam	0.8577
Liquid	0.6516

Inlet Size	1 in
Inlet Rating	300 #
Outlet Size	2 in
Outlet Rating	150 #

Materials	
Body	Carbon Steel (SA-216 Gr. WCB)
Bonnet	Carbon Steel (SA-216 Gr. WCB)
Nozzle /SP	Monel
Disk /SP	Monel
Guide	316 SS
Spring	Chrome Alloy
Bellows	None
BellowsGasket	None
ORing	None

Dimensions	
Weight	21 kg
A	483 mm
B	115 mm
C	105 mm
E	13 mm
F	31 mm

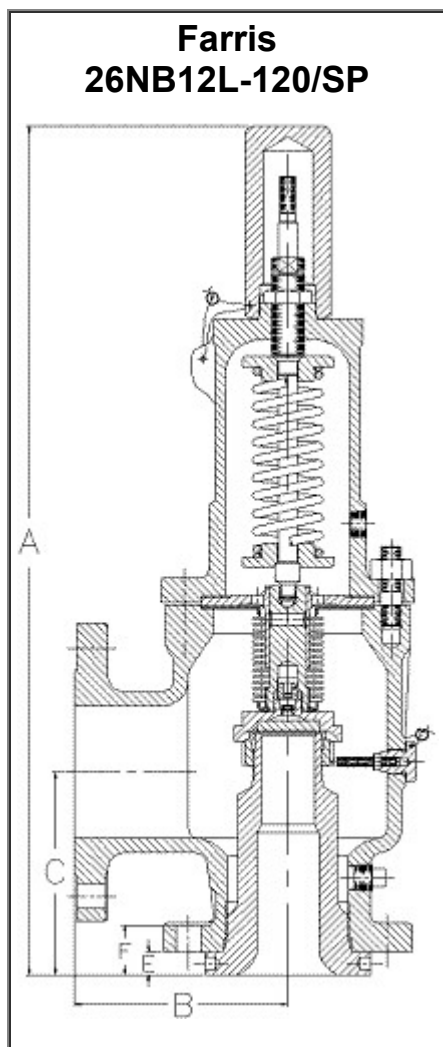
Catalog Data Sheet

Farris Relief Valve

Equip ID #: **SV-6072&6067&6066&6086A/B&6085**
 WS Version: 1.1.6.52
 Reported: 2021-10-14

PSV Identification

Tag #: SV-6072&6067&6066&6086A/B&6085	Protected System: SV-6072&6067&6066&6086A/B&6085	P/ID #: -	FPD #: -
ASME Code: ASME Sec. 8	Equation Type: Liquid	Resolved ASME Area: 2321.8 mm ²	Resolved API Area: 2089.6 mm ²
Operating Pressure: 390 psig	Set Pressure: 480 psig	BP Super Constant: 160 psig	BP Super Variable: 0 psig
Operating Temp.: 180 °F	Relief Temp.: 180 °F	Operating to Set %: 81.25 %	Over Pressure: 48 psig
Max. Rel. Cap.: 1051813 kg/hr	Reactive Force: -	Noise Level (Atm): -	NACE: No
NPC (Air): 1165 Sm ³ /min	NPC (Steam): 52450 kg/hr	NPC (Water): 8675 l/min	BP Built-Up: 0 psig
			BP Total: 160 psig
			Percent Over P.: 10 %
			Test Medium: Water



High Press. Prefix		
Series Number	26	Pressure Relief Valve
ASME / API Area	N	4.822 / 4.340
Construction	B	Balanseal
Temps & Mats	1	-20F to 800F (-29C to 427C), CS/CS
Inlet Class	2	300# HW
Special Constr'n	L	ASME Code - Liquid
Inlet Facing	1	Raised Face, ANSI Std.
Cap Constr'n	2	Screwed Cap
Test Gag	0	Without Gag
Special Material		
Restricted Lift		
Special Options	SP	

API Kd	
Gas	0.953
Steam	0.953
Liquid	0.724
ASME K	
Gas	0.8577
Steam	0.8577
Liquid	0.6516

Inlet Size	4 in
Inlet Rating	300 #
Outlet Size	6 in
Outlet Rating /SP	300 #

Materials	
Body	Carbon Steel (SA-216 Gr. WCB)
Bonnet	Carbon Steel (SA-216 Gr. WCB)
Nozzle /SP	Monel
Disk /SP	Monel
Guide	316 SS
Spring	Chrome Alloy
Bellows	Inconel Composite
BellowsGasket	Non-Asbestos
ORing	None

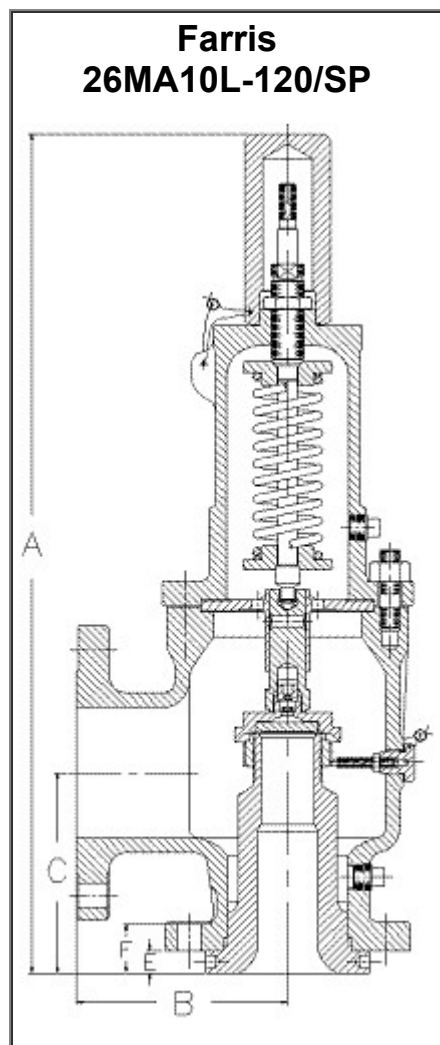
Dimensions	
Weight	100 kg
A	953 mm
B	221 mm
C	197 mm
E	18 mm
F	50 mm

Catalog Data Sheet Farris Relief Valve

Equip ID #: **SV-6081**
 WS Version: 1.1.6.52
 Reported: 2021-10-14

PSV Identification

Tag #: SV-6081	Protected System: SV-6081	P/ID #: -	PFD #: -
ASME Code: ASME Sec. 8	Equation Type: Liquid	Resolved ASME Area: 2373.1 mm ²	Resolved API Area: 2135.8 mm ²
Operating Pressure: 40 psig	Set Pressure: 150 psig	BP Super Constant: 15 psig	BP Super Variable: 0 psig
Operating Temp.: 201 °F	Relief Temp.: 201 °F	Operating to Set %: 26.667 %	Over Pressure: 15 psig
Max. Rel. Cap.: 608982 kg/hr	Reactive Force: -	Noise Level (Atm): -	NACE: No
NPC (Air): 320 Sm ³ /min	NPC (Steam): 14407 kg/hr	NPC (Water): 4594 l/min	Test Medium: Water
			BP Built-Up: 0 psig
			BP Total: 15 psig
			Percent Over P.: 10 %



High Press. Prefix		
Series Number	26	Pressure Relief Valve
ASME / API Area	M	4.000 / 3.600
Construction	A	Conventional
Temps & Mats	1	-20F to 800F (-29C to 427C), CS/CS
Inlet Class	0	150#
Special Constr'n	L	ASME Code - Liquid
Inlet Facing	1	Raised Face, ANSI Std.
Cap Constr'n	2	Screwed Cap
Test Gag	0	Without Gag
Special Material		
Restricted Lift		
Special Options	SP	

API Kd	
Gas	0.953
Steam	0.953
Liquid	0.724
ASME K	
Gas	0.8577
Steam	0.8577
Liquid	0.6516

Inlet Size	4 in
Inlet Rating	150 #
Outlet Size	6 in
Outlet Rating	150 #

Materials	
Body	Carbon Steel (SA-216 Gr. WCB)
Bonnet	Carbon Steel (SA-216 Gr. WCB)
Nozzle /SP	Monel
Disk /SP	Monel
Guide	316 SS
Spring	Chrome Alloy
Bellows	None
BellowsGasket	None
ORing	None

Dimensions	
Weight	87 kg
A	978 mm
B	185 mm
C	178 mm
E	18 mm
F	42 mm