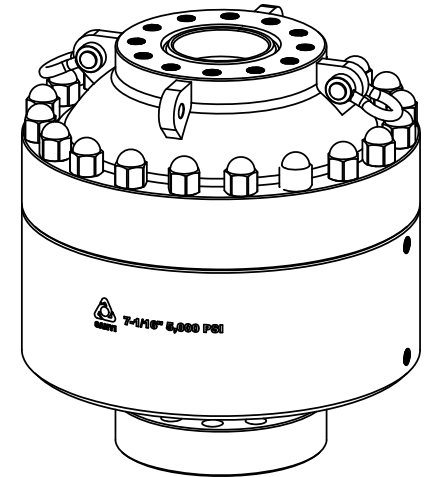


PARTIAL D
PARTIAL 1 : 3



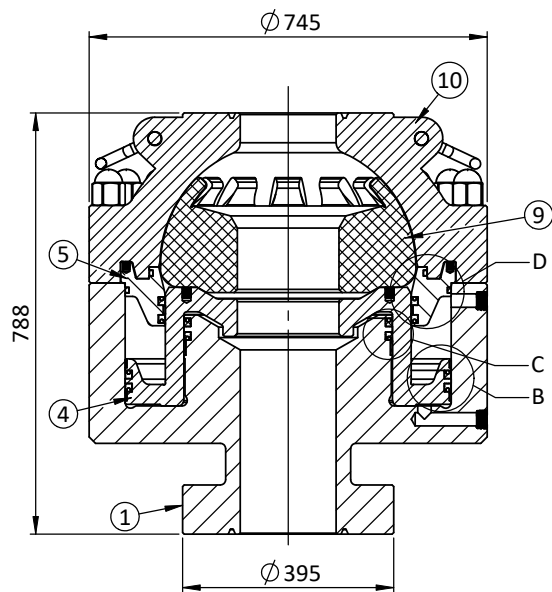
Operating Data and Fluid Requirements

Gals to Open Sealing Element: 3.21

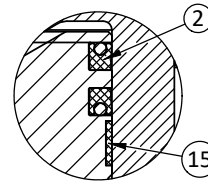
Gals to Close Sealing Element: 4.57

Working Pressure: 5000psi

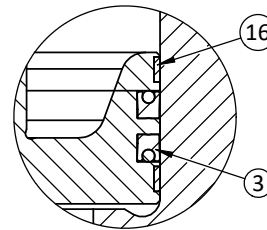
Approx Weight : 1370Kg



VIEW A-A



PARTIAL C
PARTIAL 1 : 3



PARTIAL B
Partial 1 : 3

Item	Parts No.	Description	Qty	Material
17	SB183510-01	Wear Ring - Adapter Ring	1	PTFE
16	SB183512-01	Wear Ring - Piston	2	PTFE
15	SB183514-01	Wear Ring - Lower Housing	1	PTFE
14	SB183502	Anchor Shackle	2	1045
13	SB1835-39N	Nut	20	5140
12	SB1835-39S	Bolt	20	4130
11	SB183501	Pin	2	1045
10	SB183505	Upper Housing	1	4130
9	SB1835E	Sealing Element	1	NBR
8	SB183507	Seal - Adapter Ring Top	1	BNR
7	SB183508	Seal - Adapter Ring OD	1	BNR
6	SB183509	Seal - Adapter Ring I.D.	2	NBR
5	SB183510	Adapter Ring	1	4130
4	SB183512	Piston	1	4130
3	SB183513	Seal - Piston O.D.	2	NBR
2	SB183511	Seal - Piston I.D.	2	NBR
1	SB183514	Body	1	AISI 4130

Itemref	1367.06Kg	File Name: SB183500 - Annular BOP	Drawing No.: SB183500
---------	-----------	-----------------------------------	-----------------------

Designed by Fu Chunhong	Check by Wang Rongbing	Approved by - date Liu Yuzhu	Material Assembly	Date 2020/4/11	Scale No Scale
----------------------------	---------------------------	---------------------------------	----------------------	-------------------	-------------------

	Jiangsu Sanyi Petroleum Equipment Co., Ltd.		Annular BOP, 7-1/16" 5K	
	1	Edition 0	Sheet 1/1	